

Job Name:

System Reference:

Date:

Indoor Unit:

PVA-A24AA7



Outdoor Unit:

 PUY-A24NHA7 PUY-A24NHA7-BS**INDOOR UNIT FEATURES**

- Ducted air handler provides a solution to cool and heat large zones
- Highly efficient totally enclosed ECM motor
- Selectable external static pressure: 0.30, 0.50 and 0.80 in.WG with 3 fan speeds at each static setting
- 1 inch R4.2 fiberglass free insulation reduces condensation and boosts efficiency
- Positive pressure cabinet with air leakage of less than 1.0% at 1.0 in. w.g.
- Unique blow through design allows simple coil cleaning when the blower is removed
- Multi-position installation: horizontal (left or right), vertical (up or down). For downflow configurations, the CMA-1 is recommended for proper management of condensate to prevent water blow-off in certain conditions
- Optional electric heat kit for additional heat capacity
- Optional humidifier control and ERV control

OUTDOOR UNIT FEATURES

- Variable speed INVERTER-driven compressor
- Suction accumulator pre-charged with refrigerant volume for piping length up to 100 ft (70 ft. for A12/18/24/30)
- Low ambient cooling down to -20°F providing 100% capacity (only for PUY models with wind baffles installed)
- 24-hour continuous operation (cooling mode)
- High pressure protection
- Fast restart due to bypass valve make it ideal for equipment cooling applications, such as data centers
- Superior energy and operational efficiency

SPECIFICATIONS: PVA-A24AA7 & PUY-A24NHA7(-BS)

Model number	Indoor unit		PVA-A24AA7
	Outdoor unit		PUY-A24NHA7
			PUY-A24NHA7-BS
Cooling*1	Maximum Capacity	Btu/h	24,000
	Rated Capacity	Btu/h	24,000
	Minimum Capacity	Btu/h	10,000
	Maximum Power Input	W	1,960
	Rated Power Input	W	1,960
	Moisture Removal	Pints/h	3.00
	Sensible Heat Factor		0.83
	Power factor	%	89.70
Efficiency	SEER		20.50
	EER *1		12.20
Electrical	Voltage, Phase, Frequency		208 / 230V, 1-phase, 60 Hz
	Guaranteed Voltage Range	V AC	187 - 253
	Voltage: Indoor - Outdoor, S1-S2	V AC	208V / 230
	Voltage: Indoor - Outdoor, S2-S3	V DC	24
	Voltage: Indoor - Remote controller	V DC	12
	Recommended Fuse/Breaker Size	A	25
	Recommended Wire Size (Indoor - Outdoor)	AWG	14
Indoor unit	MCA	A	4.13
	Fan Motor Full Load Amperage	A	3.30
	Fan Motor Output	W	244
	Airflow Rate, Dry	CFM	613-744-875
	Airflow Rate, Wet	CFM	n/a
	External Static Pressure	in.WG	0.30-0.50-0.80
	Sound Pressure Level	dB(A)	30-34-38
	Drain Pipe Size	In. (mm)	3/4 FPT (19.05)
	Condensate Lift Mechanism, Max. Distance	In. (mm)	n/a
	Heat Exchanger Type		Plate fin coil
	External Finish Color		Galvanized steel cabinet-Powder coated Slate Gray
	Unit Dimensions // Grille Dimensions	W: In. (mm)	21 (534)

SPECIFICATIONS: PVA-A24AA7 & PUY-A24NHA7(-BS)

Model number	Indoor unit		PVA-A24AA7	
	Outdoor unit		PUY-A24NHA7	
			PUY-A24NHA7-BS	
		D: In. (mm)	21-5/8 (548)	
		H: In. (mm)	54-1/4 (1378)	
	Unit Weight	Lbs. (kg)	64 (141)	
Indoor unit operating temperature range	Cooling Intake Air Temp (Maximum / Minimum)	°F	90 DB, 73 WB / 66 DB, 59 WB	
	Heating Intake Air Temp (Maximum / Minimum)	°F	82 DB / 50 DB	
Outdoor unit	MCA	A	19	
	MOCP	A	26	
	Fan Motor Full Load Amperage	A	0.40	
	Fan Motor Output	W	86	
	Airflow Rate	CFM	1,940	
	Refrigerant Control		Electronic Expansion Valve	
	Defrost Method		Reverse Cycle	
	Heat Exchanger Type		Cross fin	
	Sound Pressure Level, Cooling*1	dB(A)	47	
	Sound Pressure Level, Heating*2	dB(A)	48	
	Compressor Type		Inverter-driven twin rotary	
	Compressor Model		SNB172FVHM1	
	Compressor Rated Load Amps	A	7	
	Compressor Locked Rotor Amps	A	11	
	Compressor Oil Type // Charge	oz.	FV50S // 23	
	External Finish Color		Ivory Munsell 3Y 7.8/1.1	
	Base pan heater		n/a	
	Unit Dimensions	W: In. (mm)	37-13/32 (950)	
		D: In. (mm)	13 + 1-3/16 (330 + 30)	
		H: In. (mm)	37-1/8 (943)	
	Package Dimensions	W: In.	40-15/16	
		D: In.	17-11/16	
		H: In.	40-11/16	
Unit Weight	Lbs. (kg)	153 (69)		
Package Weight	Lbs. (kg)	112 (51)		
Outdoor unit operating temperature range	Cooling Intake Air Temp (Maximum / Minimum)	°F	115 DB / -20* DB	

SPECIFICATIONS: PVA-A24AA7 & PUY-A24NHA7(-BS)

Model number	Indoor unit		PVA-A24AA7
	Outdoor unit		PUY-A24NHA7
			PUY-A24NHA7-BS
	Heating Intake Air Temp (Maximum / Minimum)	°F	n/a
	Thermal Lock-out / Re-start Temperatures**	°F	n/a
Refrigerant	Type		R410A
	Charge	Lbs, oz	7 lbs, 11 oz
Piping	Gas Pipe Size O.D. (Flared)	In.(mm)	5/8 (15.88)
	Liquid Pipe Size O.D. (Flared)	In.(mm)	3/8 (9.52)
	Maximum Piping Length	Ft. (m)	225 (69)
	Maximum Height Difference	Ft. (m)	100 (30)
	Maximum Number of Bends		

AHRI Rated Conditions (Rated data is determined at a fixed compressor speed)	*1 Cooling (Indoor // Outdoor)	°F	80°F DB, 67°F WB // 95°F DB, 75°F WB
--	--------------------------------	----	--------------------------------------

Notes

*Wind baffles required to operate below 23°F DB in cooling mode. PUY with wind baffle: -20°F - 115°F.

**System cuts out in heating mode to avoid thermistor error and automatically restarts at these temperatures

SEACOAST PROTECTION

External Outer Panel: Phosphate coating + Acrylic-Enamel coating

Fan Motor Support: Epoxy resin coating (at edge face)

Separator Assembly; Valve Bed: Epoxy resin coating (at edge face)

“Blue Fin” treatment is an anti-corrosion treatment that is applied to the condenser coil to protect it against airborne contaminants.

Notes:

ACCESSORIES: PVA-A24AA7 & PUY-A24NHA7(-BS)

PVA-A24AA7	
3-Pole Disconnect Switch (30A/600V/UL) [fits 2" X 4" utility box]	<input type="checkbox"/> TAZ-MS303
Drain Pan Level Sensor (Control for indoor unit shut off to prevent drain pan overflow)	<input type="checkbox"/> DPLS2
Advanced Blue Diamond Mini-Condensation pump w/ Reservoir & Sensor (110V)	<input type="checkbox"/> X87-711 - 110
Advanced Blue Diamond Mini-Condensation pump w/ Reservoir & Sensor (208/230V)	<input type="checkbox"/> X87-721 - 208/230
Extension Cord for Blue Diamond Pump	<input type="checkbox"/> C13-103
MegaBlue Blue Diamond Condensate Pump (110-230V)	<input type="checkbox"/> X87-835
Remote Sensor (extensible)	<input type="checkbox"/> PAC-SE41TS-E
Connector Cable for Remote Display	<input type="checkbox"/> PAC-SA88HA-EP
	<input type="checkbox"/> PAC-725AD-E(10pcs)
Connector for CN32 (remote on/off)	<input type="checkbox"/> PAC-SE55RA-E
Connector for CN24 (Back up heating)	<input type="checkbox"/> PAC-SE56RA-E
Connector for CN30 (LLC)	<input type="checkbox"/> PAC-SE57RA-E
Remote Operation Adapter (with wire terminals for remote ON/OFF and operation status/error)	<input type="checkbox"/> PAC-SF40RM-E ^{*1}
External fan / Heater control relay adapter	<input type="checkbox"/> CN24RELAY-KIT-CM3
Backlit, wall-mounted, wireless	<input type="checkbox"/> MHK1
Wireless adapter	<input type="checkbox"/> PAC-USWHS002-WF-1
BACnet® and Modbus Interface	<input type="checkbox"/> PAC-UKPRC001-CN-1
Wall-mounted, Wired	<input type="checkbox"/> PAC-YT53CRAU-J
Wired remote controller	<input type="checkbox"/> PAR-32MAA-J
T-STAT Interface	<input type="checkbox"/> PAC-US444CN-1 ^{*2}
Wired remote controller	<input type="checkbox"/> PAR-32MAA
Signal Receiver	<input type="checkbox"/> PAR-SA9CA-E
Wireless Remote Controller	<input type="checkbox"/> PAR-FL32MA-E
Wireless Signal Receiver	<input type="checkbox"/> PAR-FA32MA-E
Wire for Remote ON/OFF with CN32 connector	<input type="checkbox"/> PAC-715AD
Lockdown Bracket for wireless, hand-held, remote controllers	<input type="checkbox"/> RCMKP1CB

^{*1} Unable to use with wireless remote controller

^{*2} Unable to use with the electric heat time delay

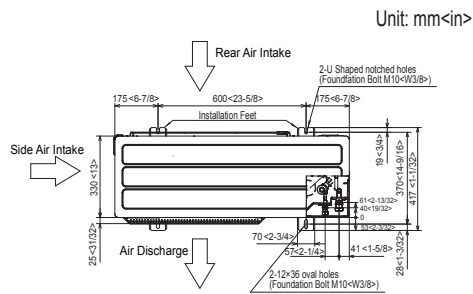
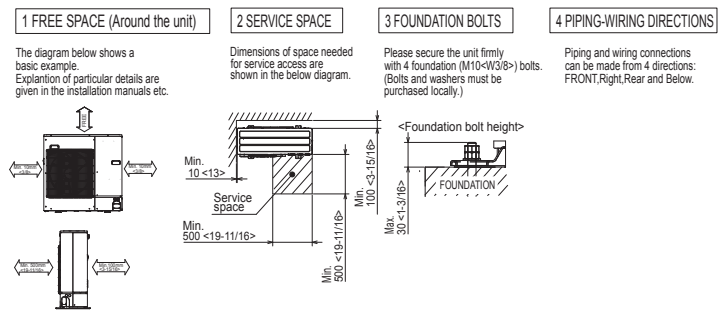
PUY-A24NHA7(-BS)	
Twinning Distribution Pipe (50:50)	<input type="checkbox"/> MSDD-50TR-E
Front Wind Baffle	<input type="checkbox"/> WB-PA5
Drain socket	<input type="checkbox"/> PAC-SG61DS-E
Centralized Drain Pan	<input type="checkbox"/> PAC-SG64DP-E
M-NET Converter	<input type="checkbox"/> PAC-SF83MA-E

ACCESSORIES: PVA-A24AA7 & PUY-A24NHA7(-BS)

PUY-A24NHA7(-BS)	
Control/Service Tool	<input type="checkbox"/> PAC-SK52ST
Wall mounting bracket (powder-coated steel)	<input type="checkbox"/> QCWB2000M-1
Wall mounting bracket (316 Series Stainless Steel)	<input type="checkbox"/> QCWBSS
M-NET control adapter for Building Management System	<input type="checkbox"/> PAC-SF83MA-E
Outdoor Unit Mounting Pad 24" x 42" x 3"	<input type="checkbox"/> ULTRILITE2
Outdoor Unit 3-1/4 inch Mounting Base - Pair (Plastic)	<input type="checkbox"/> DSD-400N
MiniSplit Mounting Stand-Single Fan models - 12"	<input type="checkbox"/> QSMS1201M
MiniSplit Mounting Stand-Single Fan models - 18"	<input type="checkbox"/> QSMS1801M
MiniSplit Mounting Stand-Single Fan models - 24"	<input type="checkbox"/> QSMS2401M
3/8 x 5/8 x 10' / 1/2" Lineset (Twin-Tube Insulation)	<input type="checkbox"/> MPLS385812T-10
3/8 x 5/8 x 15' / 1/2" Lineset (Twin-Tube Insulation)	<input type="checkbox"/> MPLS385812T-15
3/8 x 5/8 x 30' / 1/2" Lineset (Twin-Tube Insulation)	<input type="checkbox"/> MPLS385812T-30
3/8 x 5/8 x 50' / 1/2" Lineset (Twin-Tube Insulation)	<input type="checkbox"/> MPLS385812T-50
3/8 x 5/8 x 65' / 1/2" Lineset (Twin-Tube Insulation)	<input type="checkbox"/> MPLS385812T-65
3/8 x 5/8 x 100' / 1/2" Lineset (Twin-Tube Insulation)	<input type="checkbox"/> MPLS385812T-100

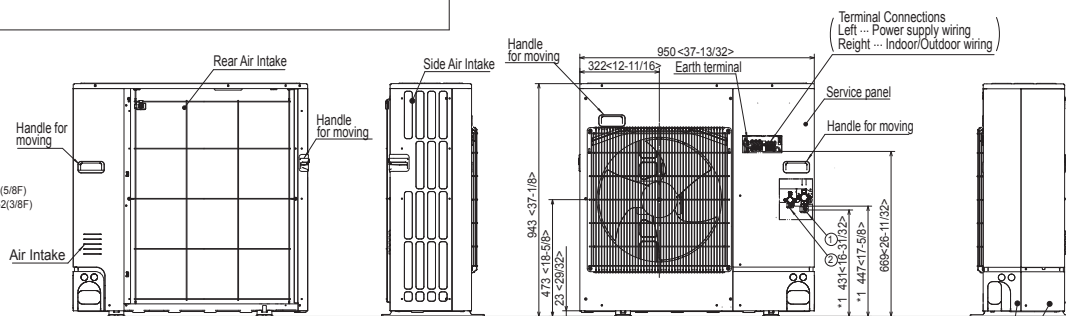
DIMENSIONS: PVA-A24AA7 & PUY-A24NHA7 (-BS)

PUY-A24NHA7(-BS)

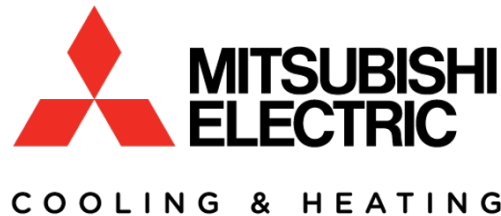
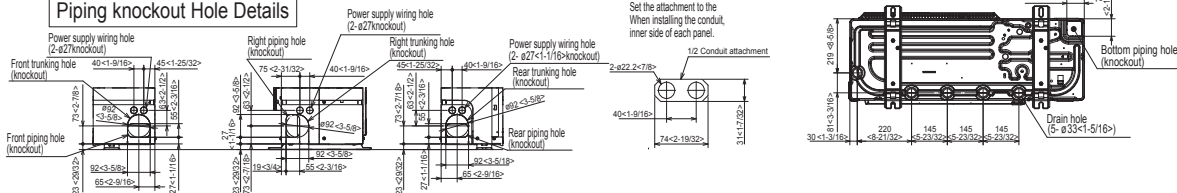


Example of Notes

- ① -- Refrigerant GAS pipe connection (FLARE) ϕ 15.88(5/8F)
- ② -- Refrigerant LIQUID pipe connection (FLARE) ϕ 9.52(3/8F)
- *1 -- Indication of STOP VALVE connection location.



Piping knockout Hole Details



1340 Satellite Boulevard, Suwanee, GA 30024
Toll Free: 800-433-4822 www.mehvac.com

FORM# PVA-A24AA7 / PUY-A24NHA7(-BS) - 201702Ver2

